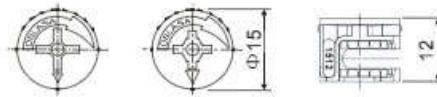
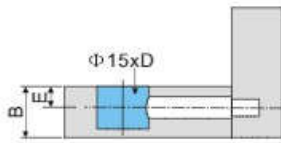


OSLASA Cam offers the furniture manufacturer the advantage gained by using a single cam to activate M6 bolt, Self-expanding bolt and Wood threaded bolt



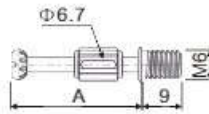
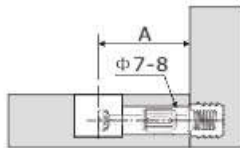
Ø 15x12mm Cam



Code No.		B	D	E	
SCK-402A	Ph2 Screw drivers	15-20mm	12.5mm	7.5-8mm	2000
SCK-402B	M4 Allen Key	15-20mm	12.5mm	7.5-8mm	2000

Application

- The cam is simply hand, or machine, inserted into the 15mm diameter face hole.
- Cams are available for 15 ~20mm board thickness.



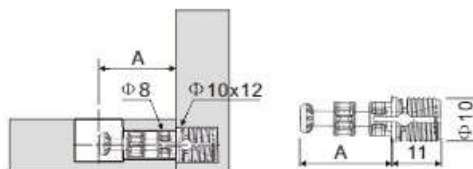
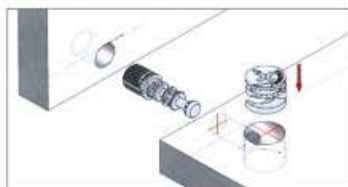
M6 Bolt



Code No.	Description	A	
SCK-402C	M6 Bolt 24mm Ph2 Screw drivers	24mm	2000
SCK-402D	M6 Bolt 28mm Ph2 Screw drivers	28mm	2000
SCK-402E	M6 Bolt 34mm Ph2 Screw drivers	34mm	2000

Application

- Suitable for use with OSLASA Cam products
- Round head with combi-slot Ph2 Screw drivers



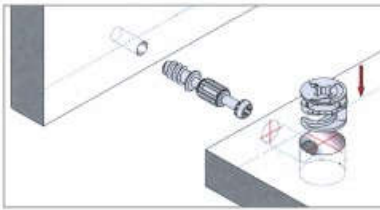
Self-expanding Bolt



Code No.	Description	A	
SCK-402F	Self-expanding Bolt 24mm	24mm	2000

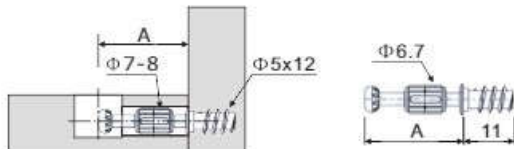
Application

- Suitable for use with OSLASA Cam products;
- Locking feature provides a strong, vibration proof joint;
- Tool-free fixing of bolt into face boring cuts assembly time by 50%



OSLASA Cam offers the furniture manufacturer the advantage gained by using a single cam to activate M6 bolt, Self-expanding bolt and Wood threaded bolt

Wood threaded Bolt

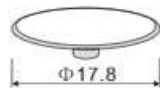


Code No.	Description	A	
SCK-402G	Wood threaded Bolt (Ph2 Screw drivers)	24mm	2000

Application

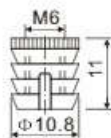
- Suitable for use with OSLASA Cam products;
- locking feature provides a strong, vibration proof joint;

Cover Cap



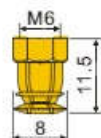
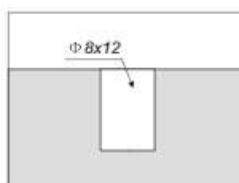
Code No.	Description	Color	
SCK-402H	Cover Cap	BK(Black), BR(Brown), WH(White)	50,000

Nylon knock-in Dowel



Code No.	Description	
SCK-308	Nylon knock-in Dowel	2000

Knock-in expansion brass bush



Code No.	Description	
SCK-309NN	Knock-in expansion brass bush	2000



OSLASA GAS CYLINDERS

especially designed for the furniture industry, for example, doors or lids can easily be opened, closed quietly and smoothly or kept open safely in any position.

There are various furniture applications such as:
Overhead kitchen cabinets

Can be easily assembled and have a long service life .
In addition they are maintenance-free and price worthy.




Gas Cylinder

The gas cylinder serve as support and make sure that, for example, cabinet doors can be opened very easily. By pre-adjusting the filling force the furniture gas cylinder can be adapted to any assembly situation

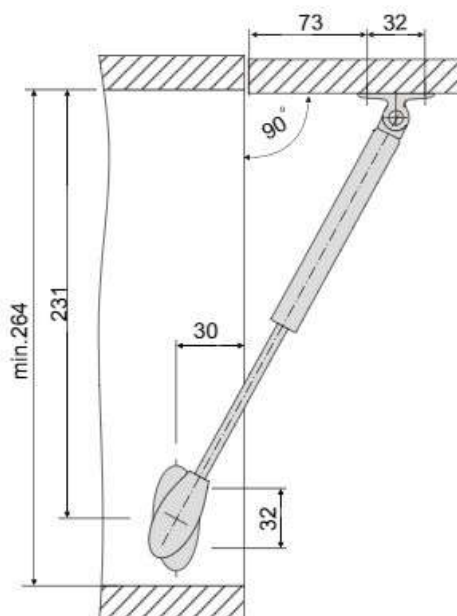
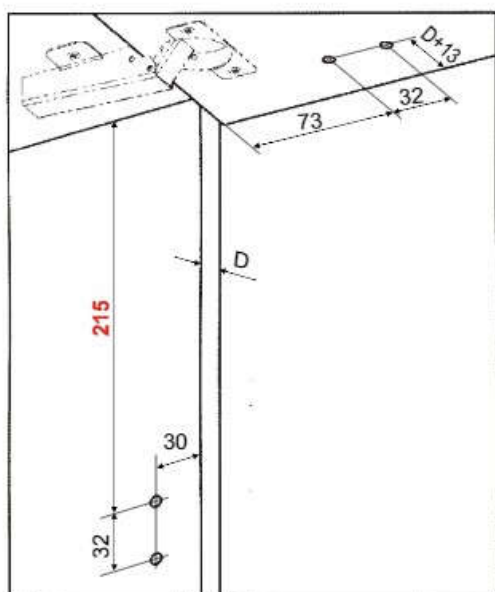
Positioning Gas Cylinder

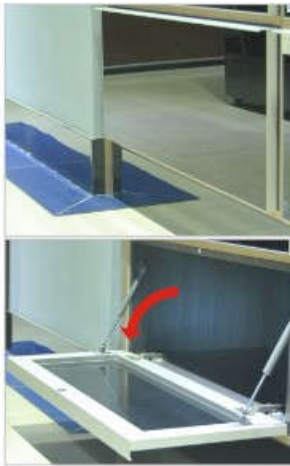
If a cabinet door is not supposed to open automatically to the highest position, the positioning gas cylinder is the right solution. Just like the furniture gas cylinder, the positioning gas cylinder serves as support when opening the door.



Code	Description	Colour	
SCA-273A80	Gas Cylinder 80N	Gray	100 sets
SCA-273A120	Gas Cylinder 120N	Gray	100 sets
SCA-273A150	Gas Cylinder 150N	Gray	100 sets
SCA-273B45	Positioning Gas Cylinder 45N	Gray	100 sets
SCA-273B60	Positioning Gas Cylinder 60N	Gray	100 sets

Example for the assembly (For SCA-273A and SCA-273B)





OSLASA DAMPER GAS CYLINDERS

especially designed for the furniture industry, for example, doors or lids can easily be opened, closed quietly and smoothly or kept open safely in any position. There are various furniture applications such as: Overhead kitchen cabinets, Shoe cabinets, etc.

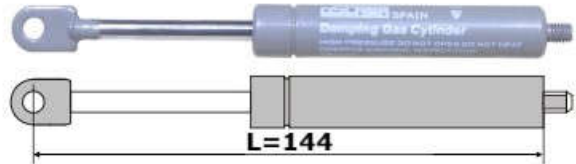


Can be easily assembled and have a long service life .
In addition they are maintenance-free and price worthy.

Furniture dampers are used on doors and flaps that open downward. The furniture damper reduces the opening speed of the flap and makes the opening function more comfortable. The opening behaviour of different flaps can be optimized by adjusting the fixing points.



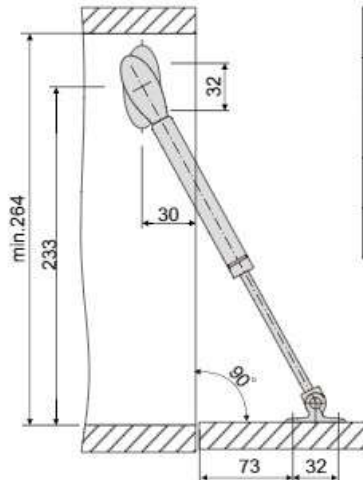
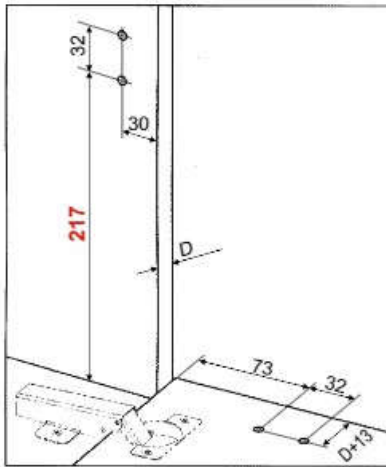
SCA-273DCS



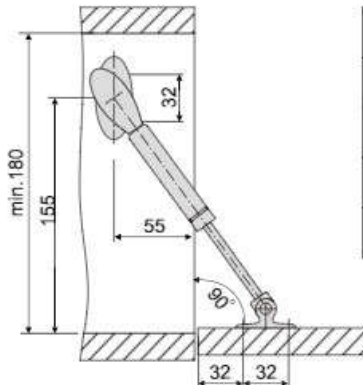
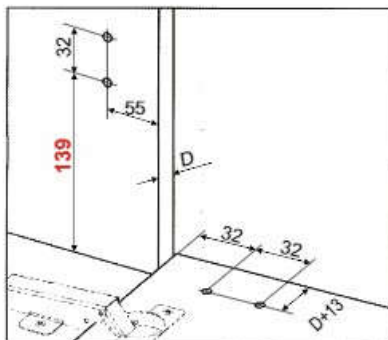
SCA-273DC



Technical Installation



Code	SCA-273DC
Description	Damper Gas Cylinder
Colour	Gray
	100 sets



Code	SCA-273DCS
Description	Damper Gas Cylinder Short Arm Version
Colour	Gray
	100 sets

Door height : 180~250mm



GLASS-Hinge for glass doors



Technical details


Operation: Rotating 180°

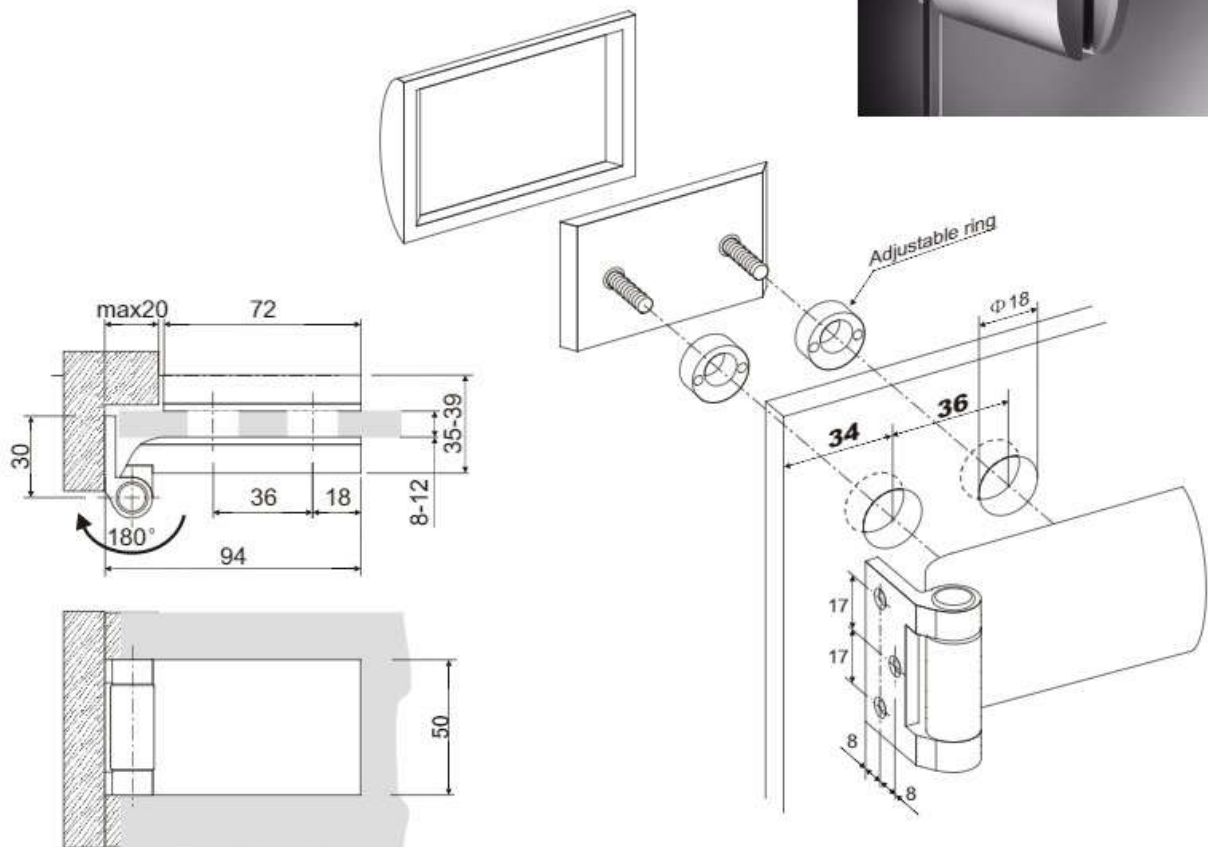
Glass thickness: from 8mm to 12mm.

Door weight: up to 55kg 2 hinges, 55 to 75kg 3 hinges.

Max door width: 900mm.

Adjustment: eccentric $\pm 1.5\text{mm}$.

Code	Colour	Material	
SCL-135H/CH/N	Chrome Plated	Brass	10 sets
SCL-135H/NM/N	Nickel Matt	Brass	10 sets
SCL-135H/PB/N	Copper Plating	Brass	10 sets



“ SMART ” MINI MOTION LED SENSOR



SMART is a command system with an innovative technology that allows to pilot the instrument (to it connected) with the motion sensor of the luminous LED.

The modules can be installed outside the cabinet and are equipped with soft sensor

LED Specification

- Input: 5V, 0.75W
- Recharge battery by Android-USB wire for 4 hours, can be used for 3 months
- Life of battery: 5000 hours
- Color Temperature: 4000K
- Sensor distance: 1.5~2 m
- Sensor intermission: 13~17 seconds

CE
RoHS



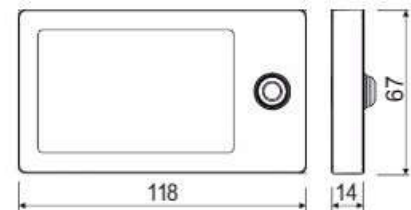
WH(White)




NM(Nickel Matt)



BK(Black)



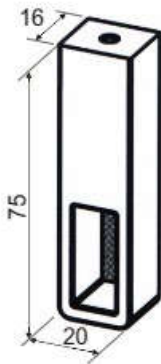
Code	Input	Color Temperature	Color	
SCL-269/BK	5V, 0.75W	4000 K	Black	20 pcs
SCL-269/NM	5V, 0.75W	4000 K	Nickel Matt	20 pcs
SCL-269/WH	5V, 0.75W	4000 K	White	20 pcs

Walk-in closet & Wardrobe rail support



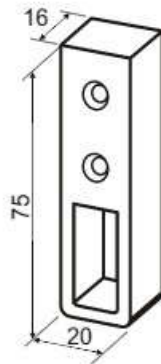
Specifications

- Spanish Minimal Design
- For heavy duty Walk-in closet and Wardrobe



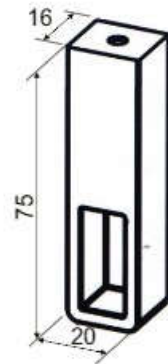
OM-017A

Top Mounting Rail Support
 Material: Zamak
 Colour: **NM**(Nickel Matt)
 CHP(Champagne)
 Packing: 30pcs / box



OM-017B

Side Mounting Rail Support
 Material: Zamak
 Colour: **NM**(Nickel Matt)
 CHP(Champagne)
 Packing: 30pcs / box



OM-017C

Central Top Mounting Rail Support
 Material: Zamak
 Colour: **NM**(Nickel Matt)
 CHP(Champagne)
 Packing: 30pcs / box

OM-017D

Alu. Rail
 Length: 3000mm
 Colour: **CHP**(Polished Champagne Anodised)
 NM(Polished Natural Anodised)
 Packing: 30pcs / box

